

MH 197 RKS (K800 HC) Rotary tiller

Documents

Gears (1/2)

Frame

Wheel

Drag bar

Gears (2/2)

Hood

Handlebar

Tiller hood

Tiller

Wheel 3.5-8"

Optional

Cylinder head

Ignition system

Crankcase

Crankcase cover

Crankshaft and piston

Valve and governor

Flywheel and coil

Control lever

Muffler

Air filter

Tank

Carburetor

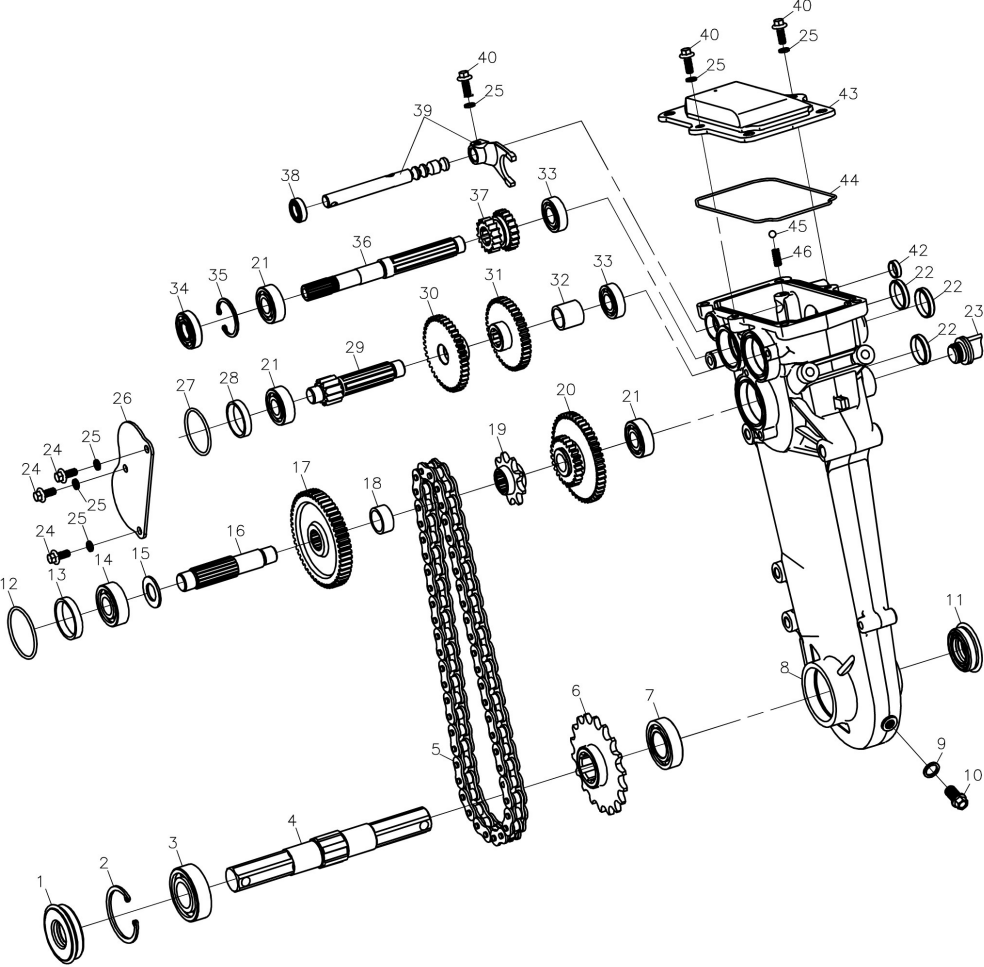


Illustration Gears (1/2)

Ref.Nu	Qty	Part number	Description	Validity from	Validity till	Notes	Bulletin
1	1	L66150753	Oil seal				
2	1	L66150773	Oil seal				
3	1	L66150779	Bearing				
4	1	L66150746	Shaft				
5	1	L66150780	Chain				
6	1	L66150781	Gear				
7	1	L66150783	Bearing				
8	1	L66150784	Transmission				
9	1	L66150354	Washer				
10	1	L66150797	Nut				
11	1	L66150811	Oil seal				
12	1	L66150819	Seal ring				
13	1	L66150826	Bushing				
14	1	L66150827	Bearing				
15	1	L66150855	Washer				
16	1	L66150856	Shaft				
17	1	L66150857	Gear				
18	1	L66150858	Bushing				
19	1	L66150859	Gear				
20	1	L66150860	Gear				
21	3	L66150657	Bearing				
22	3	L66150861	Oil seal				
23	1	L66150541	Complete cap				
24	3	L66150393	Screw				
25	6	L66150862	Washer				
26	1	L66150863	Deflector				
27	1	L66150864	Seal ring				
28	1	L66150865	Bushing				
29	1	L66150866	Shaft				
30	1	L66150867	Gear				
31	1	L66150868	Gear				
32	1	L66150869	Bushing				
33	2	L66150870	Bearing				
34	1	L66150871	Oil seal				
35	1	L66150862	Washer				
36	1	L66150872	Drive shaft				
37	1	L66150873	Gear				
38	1	L66150874	Oil seal				
39	1	L66151204	Shaft				
40	3	L66150251	Screw				
42	1	L66150877	Oil seal				
43	1	L66150878	Cover				
44	1	L66150879	Seal ring				
45	1	L66150880	Ball				
46	1	L66150881	Spring				

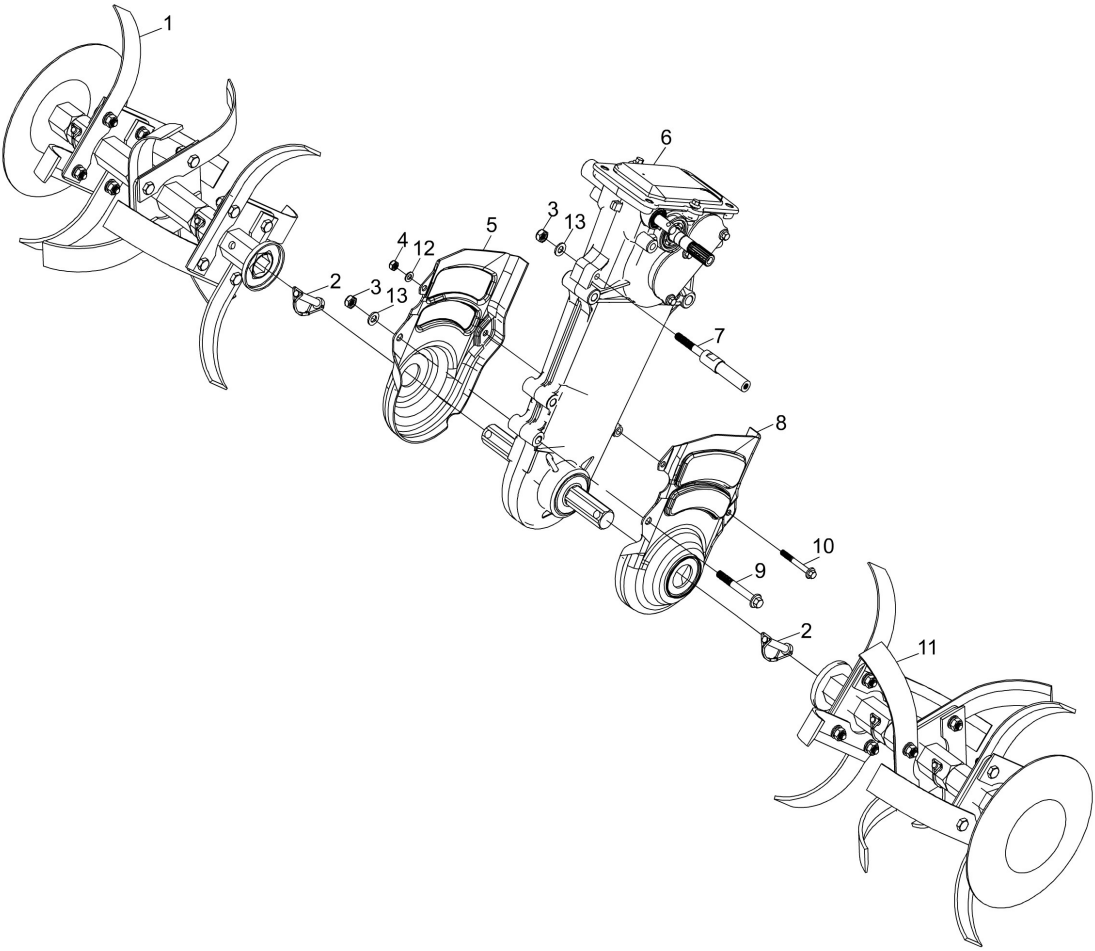


Illustration Frame

Ref.Nu	Qty	Part number	Description	Validity from	Validity till	Notes	Bulletin
1	1	L66150882	Cutters kit			Destro; Right	
2	2	L66150883	Clip				
3	2	L66150884	Nut				
4	1	L66150885	Nut				
5	1	L66150886	Guard			Destro; Right	
6	1	L66150887	Transmission				
7	1	L66150888	Spindle				
8	1	L66150889	Guard			Sinistro; Left	
9	1	L66150890	Bolt				
10	1	L66150256	Screw				
11	1	L66150891	Cutters kit			Sinistro; Left	
12	1	L66150920	Washer				
13	2	L66150894	Washer				

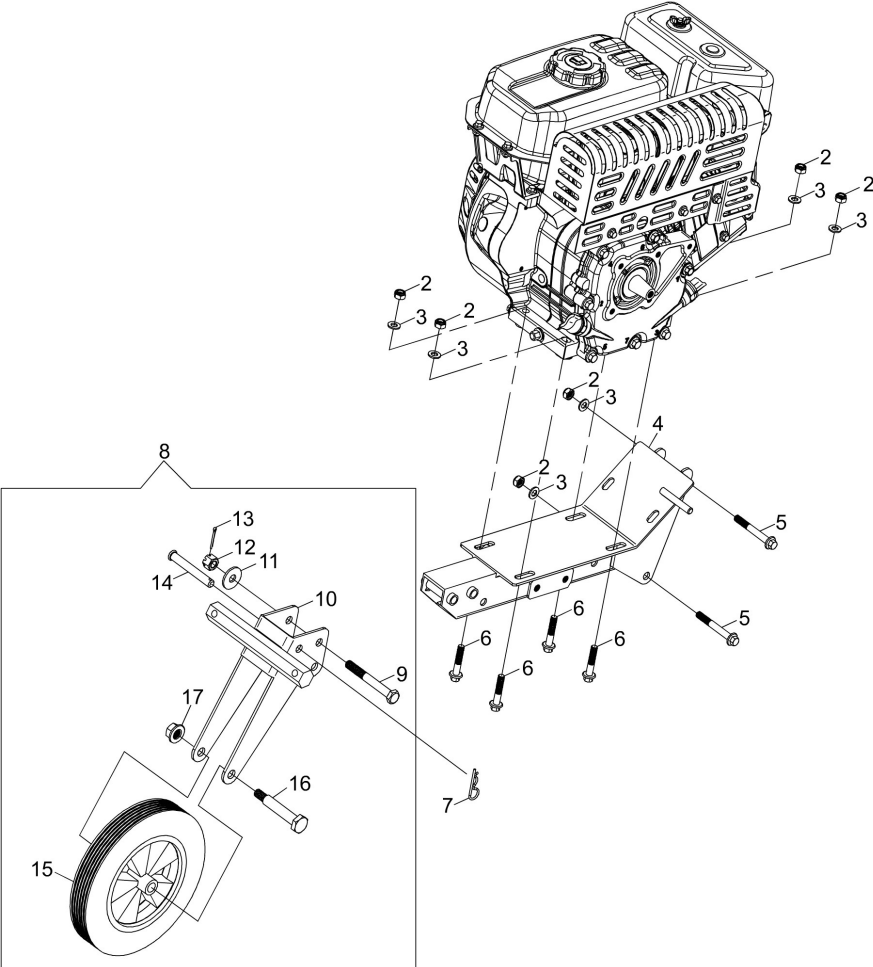


Illustration Wheel

Ref.Nu	Qty	Part number	Description	Validity from	Validity till	Notes	Bulletin
2	7	L66150884	Nut				
3	7	L66150894	Washer				
4	1	L66151205	Bracket				
5	2	L66150890	Bolt				
6	4	L66150901	Bolt				
7	1	L66150902	Pin				
8	1	L66151224	Wheel kit				
9	1	L66150904	Bolt				
10	1	L66151206	Fork				
11	1	L66150906	Washer				
12	1	L66150907	Nut				
13	1	L66150908	Pin				
14	1	L66150909	Pin				
15	1	L66151115	Front wheel				
16	1	L66151117	Pin				
17	1	L66151116	Nut				

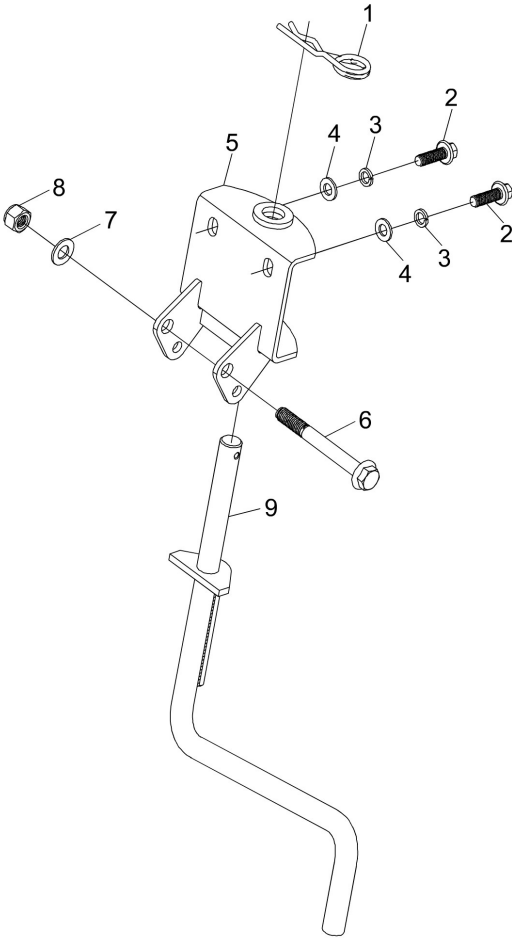


Illustration Drag bar

Ref.Nu	Qty	Part number	Description	Validity from	Validity till	Notes	Bulletin
1	1	L66150914	Pin				
2	2	L66150899	Bolt				
3	2	L66150893	Bearing				
4	5	L66150894	Washer				
5	1	L66151207	Shock absorber seat				
6	1	L66150898	Bolt				
7	1	L66150897	Washer				
8	1	L66150896	Nut				
9	1	L66151208	Damping arm				

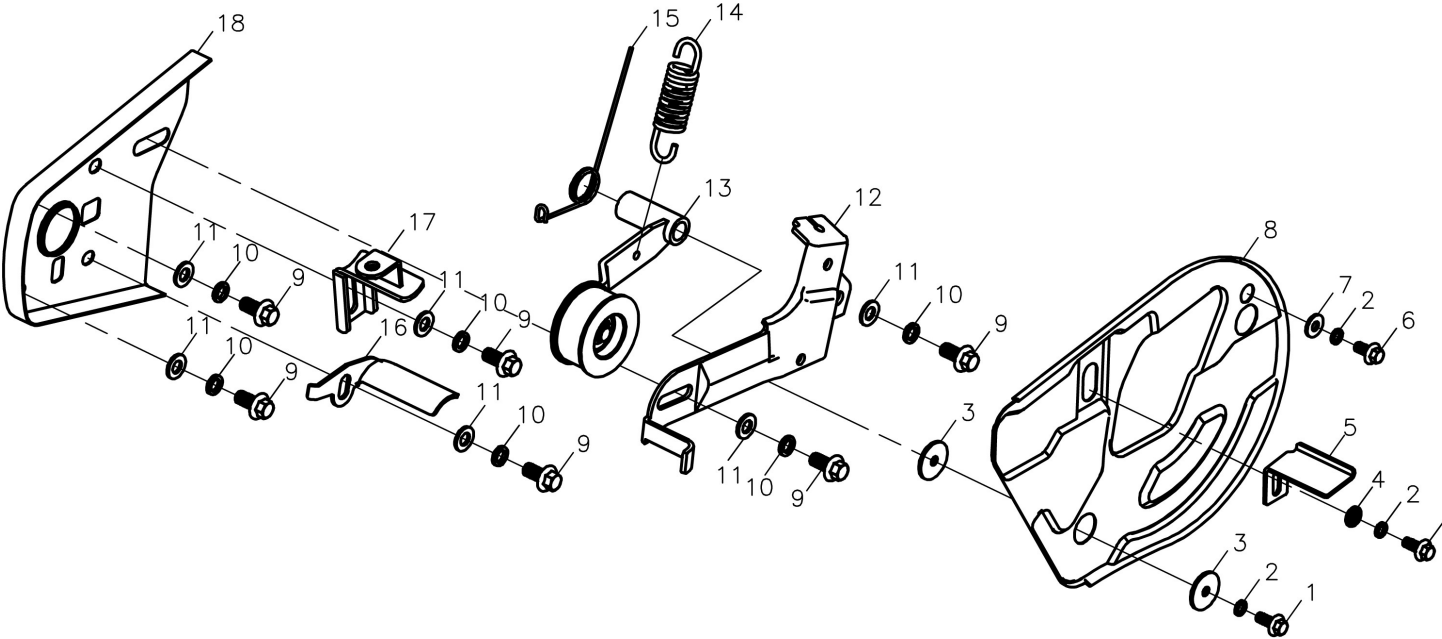


Illustration Gears (2/2)

Ref.Nu	Qty	Part number	Description	Validity from	Validity till	Notes	Bulletin
1	2	L66150393	Screw				
2	3	L66150862	Washer				
3	2	L66150438	Washer				
4	1	L66150920	Washer				
5	1	L66150921	Plate				
6	1	L66150464	Screw				
7	1	L66150922	Washer				
8	1	L66150923	Plate				
9	6	L66150924	Bolt				
10	6	L66150893	Bearing				
11	6	L66150894	Washer				
12	1	L66151209	Bracket				
13	1	L66150926	Jockey roll leve				
14	1	L66150927	Spring				
15	1	L66150928	Spring				
16	1	L66150929	Bracket			Guida cinghia; Guide belt	
17	1	L66150930	Bracket			Guida cinghia; Guide belt	
18	1	L66151210	Plate				

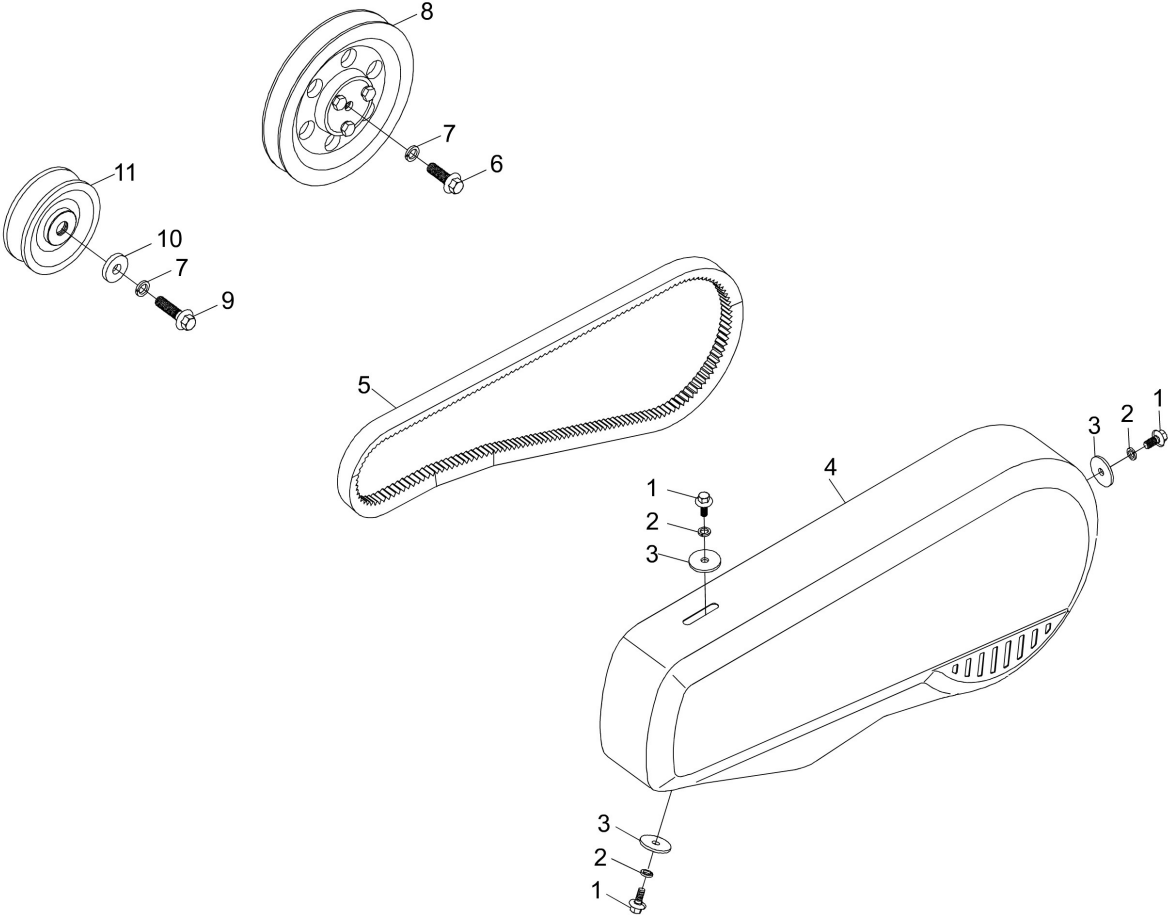


Illustration Hood

Ref.Nu	Qty	Part number	Description	Validity from	Validity till	Notes	Bulletin
1	3	L66150316	Screw				
2	3	L66150862	Washer				
3	3	L66150438	Washer				
4	1	68580017R	Cover			Copricinghia; Belt cover	
5	1	L66150932	Belt				
6	1	L66150899	Bolt				
7	2	L66150893	Bearing				
8	1	L66150933	Driving wheel kit				
9	1	L66150892	Bolt				
10	1	L66150934	Washer				
11	1	L66150935	Driving wheel				

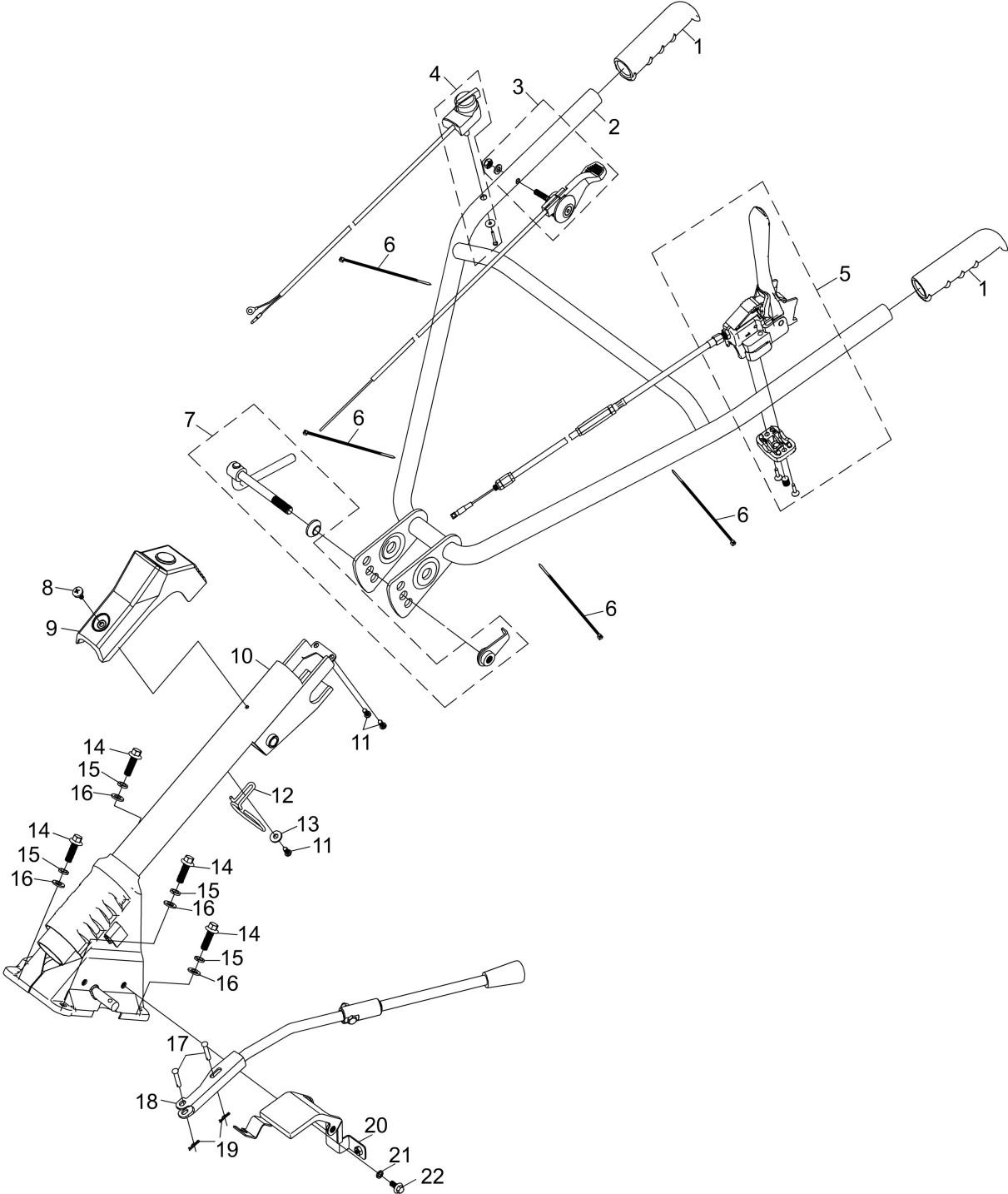


Illustration Handlebar

Ref.Nu	Qty	Part number	Description	Validity from	Validity till	Notes	Bulletin
1	2	L66151211	Knob				
2	1	L66151212	Handlebar				
3	1	L66151213	Throttle				
4	1	L66150952	Switch				
5	1	L66151214	Complete lever				
6	4	L66150505	Clip				
7	1	L66150946	Lever group				
8	1	L66150940	Bolt				
9	1	L66150945	Guard				
10	1	L66151215	Shaft joint				
11	3	L66150944	Bolt				
12	1	L66150942	Clip				
13	1	L66151216	Washer				
14	4	L66150899	Bolt				
15	4	L66150893	Bearing				
16	4	L66150894	Washer				
17	2	L66150939	Pin				
18	1	L66150938	Bracket				
19	2	L66150937	Clip				
20	1	L66151217	Bracket				
21	1	L66150862	Washer				
22	1	L66150464	Screw				

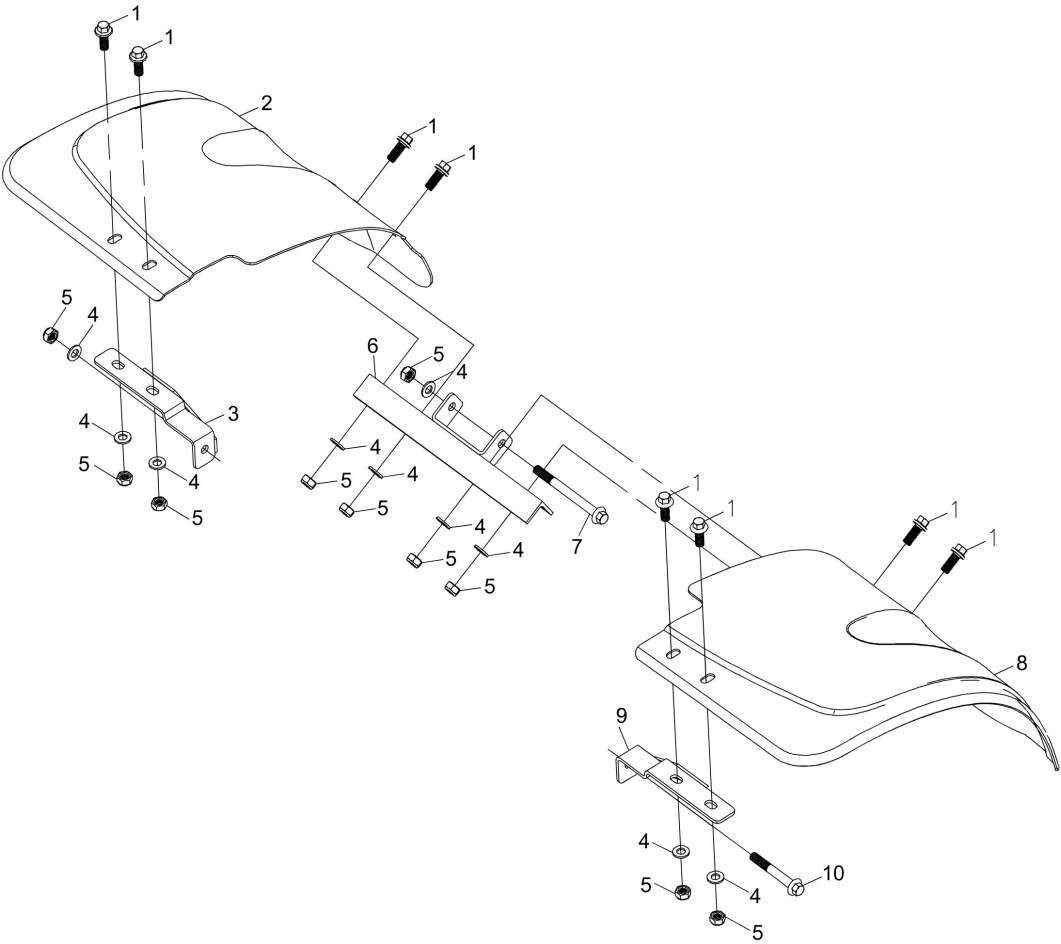


Illustration Tiller hood

Ref.Nu	Qty	Part number	Description	Validity from	Validity till	Notes	Bulletin
1	8	L66150317	Screw				
2	1	L66151218	Hood			DX; Right	
3	1	L66151219	Support				
4	10	L66150894	Washer				
5	10	L66150884	Nut				
6	1	L66151220	Support				
7	1	L66151221	Screw				
8	1	L66151222	Hood			SX; Left	
9	1	L66151223	Support				
10	1	L66150890	Bolt				

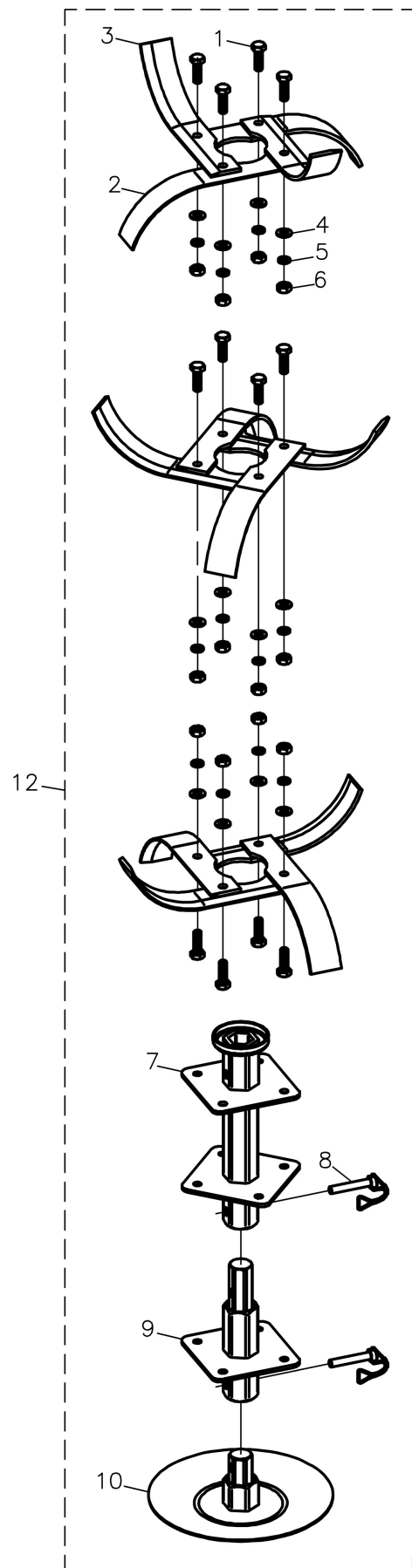
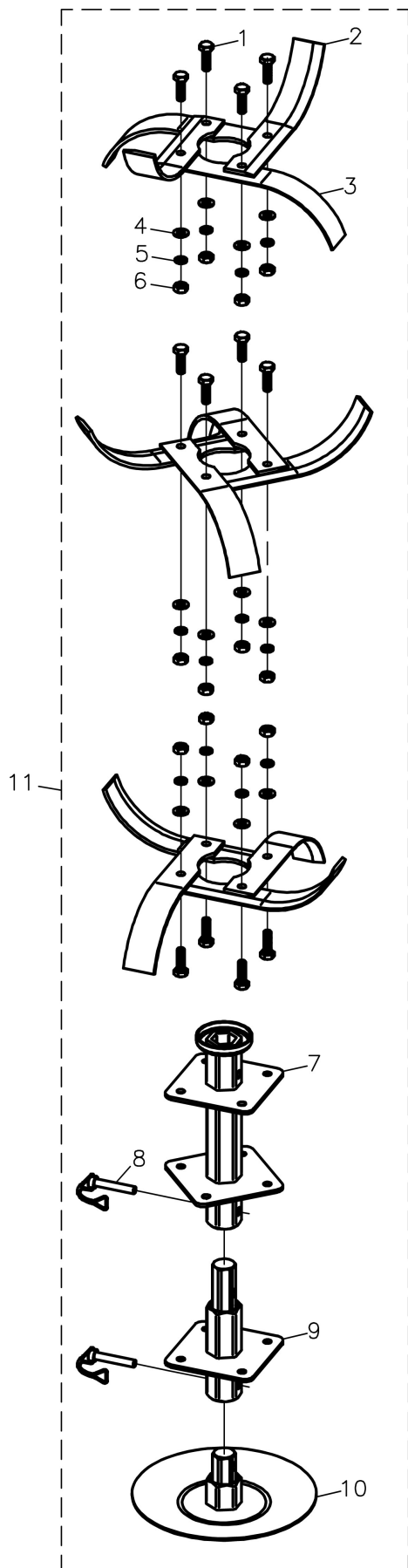


Illustration Tiller

Ref.Nu	Qty	Part number	Description	Validity from	Validity till	Notes	Bulletin
1	24	L66150973	Bolt				
2	12	L66150974	Knife			Destro; Right	
3	12	L66150975	Knife			Sinistro; Left	
4	24	L66150894	Washer				
5	24	L66150976	Washer				
6	24	L66150977	Nut				
7	2	L66150978	Support				
8	4	L66150883	Clip				
9	2	L66150979	Support				
10	2	L66150980	Disk				
11	1	L66150891	Cutters kit				
12	1	L66150882	Cutters kit				

Illustration Wheel 3.5-8"

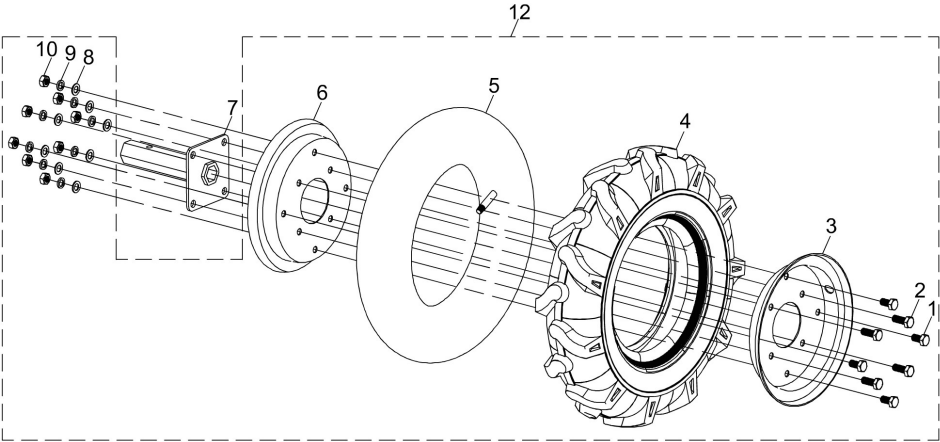
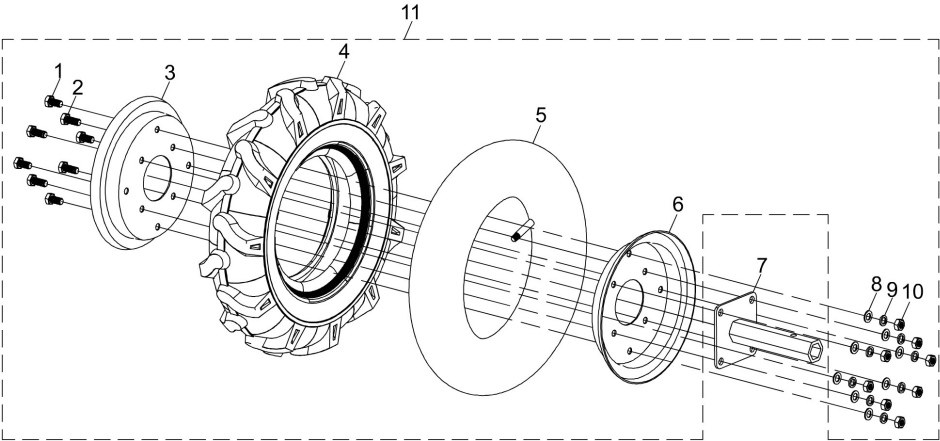


Illustration Wheel 3.5-8"

Ref.Nu	Qty	Part number	Description	Validity from	Validity till	Notes	Bulletin
1	8	L66150998	Bolt				
2	8	L66151225	Bolt				
3	2	L66151226	Rim				
4	2	L66151227	Tire				
5	2	L66151228	Inner tube				
6	2	L66151229	Rim				
7	2	L66151003	Axle				
8	16	L66150897	Washer				
9	16	L66151004	Washer				
10	16	L66151005	Nut				
11	1	L66151230	Wheel kit			SX; Left	
12	1	L66151231	Wheel kit			DX; Right	

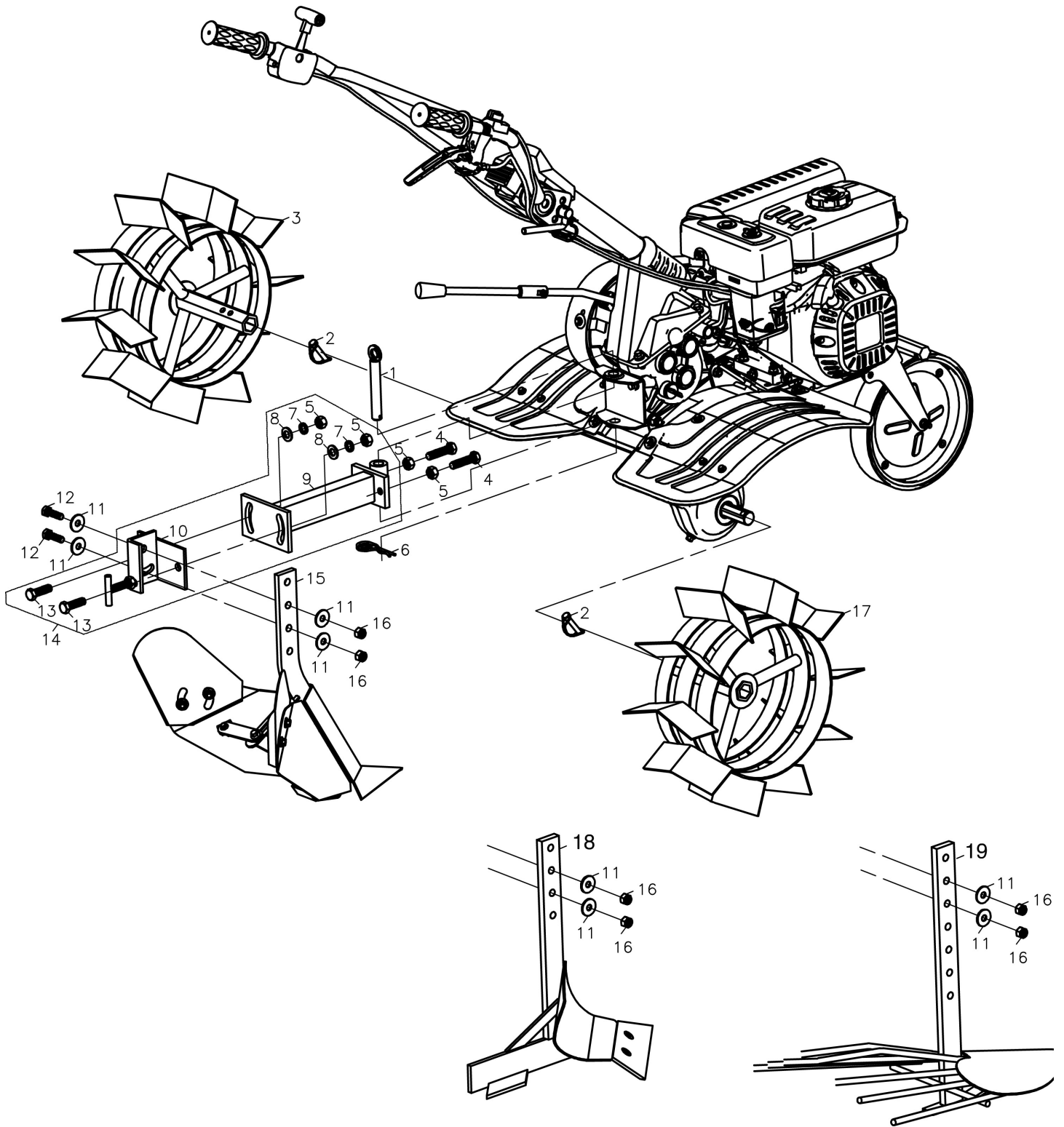


Illustration Optional

Ref.Nu	Qty	Part number	Description	Validity from	Validity till	Notes	Bulletin
1	1	L66150912	Pin				
2	2	L66150883	Clip				
3	1	69209085	Pair of wheels				
3	1	69209084	Pair of wheels				
4	2	L66151007	Bolt				
5	4	L66151008	Nut				
6	1	L66150914	Pin				
7	2	L66151009	Washer				
8	2	L66151010	Washer				
9	-		Not available for this product			Frontale; Front	
9	-		Not available for this product			Frontale; Front	
10	-		Not available for this product			Posteriore; Back	
10	-		Not available for this product			Posteriore; Back	
11	4	L66150906	Washer				
12	2	L66151013	Bolt				
13	2	L66151014	Bolt				
14	1	69209088	Connector				
15	1	69209081	Plough				
16	2	L66150896	Nut				
17	1	69209085	Pair of wheels				
17	1	69209084	Pair of wheels				
18	1	69209082	Plough				
19	1	69209083	Potato digger				

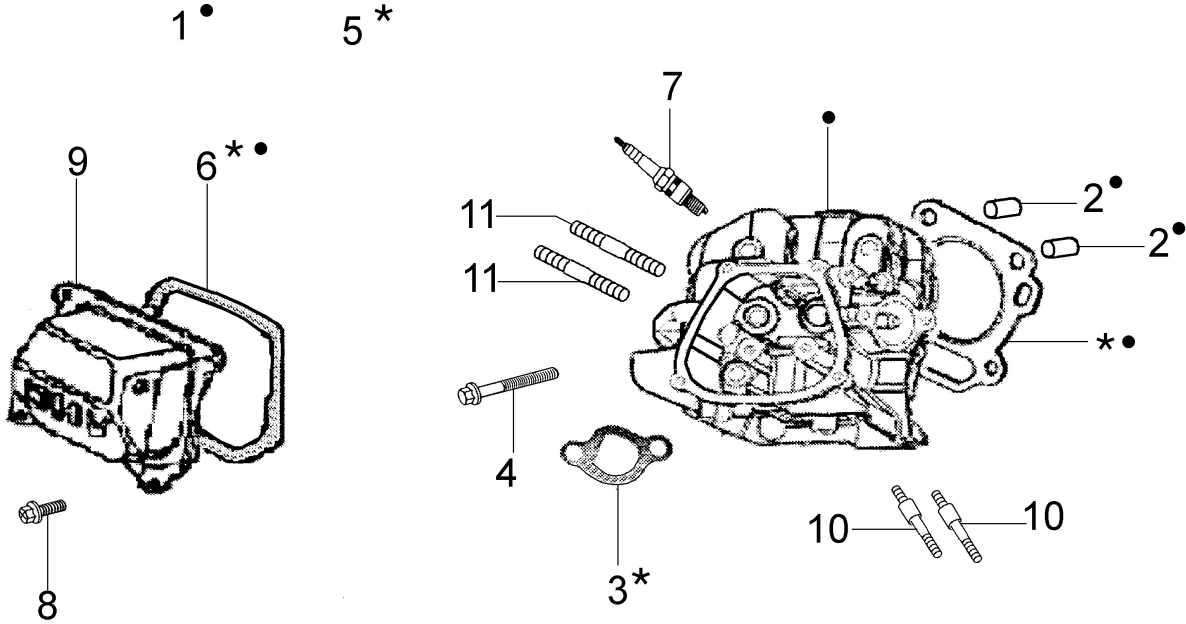


Illustration Cylinder head

Ref.Nu	Qty	Part number	Description	Validity from	Validity till	Notes	Bulletin
1	1	L66150205	Head comp.cylinder				
2	2	L66150350	Plug				
3	1	L66150309	Gasket				
4	4	L66150323	Screw				
5	1	L66151172	Gasket set				
6	1	L66150476	Gasket				
7	1	3055123	Spark plug				
8	4	L66150322	Screw				
9	1	L66150277	Cover				
10	2	L66150241	Stud				
11	2	L66150324	Stud				

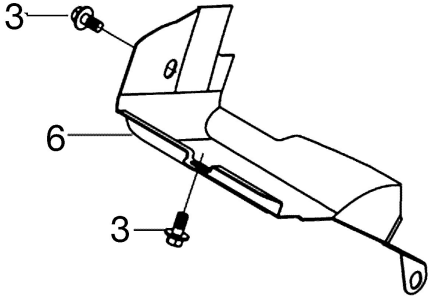
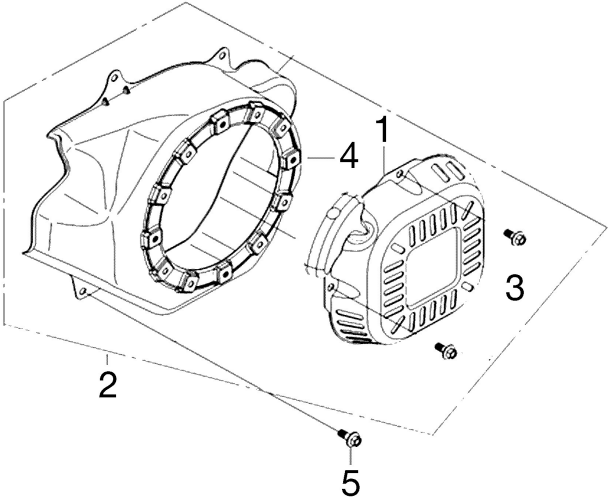


Illustration Ignition system

Ref.Nu	Qty	Part number	Description	Validity from	Validity till	Notes	Bulletin
1	1	L66150329	Starter assy				
2	1	L66150374	Starter assy				
3	4	L66150339	Screw				
4	1	L66150391	Fan cover				
5	4	L66150316	Screw				
6	1	L66150725	Deflector				

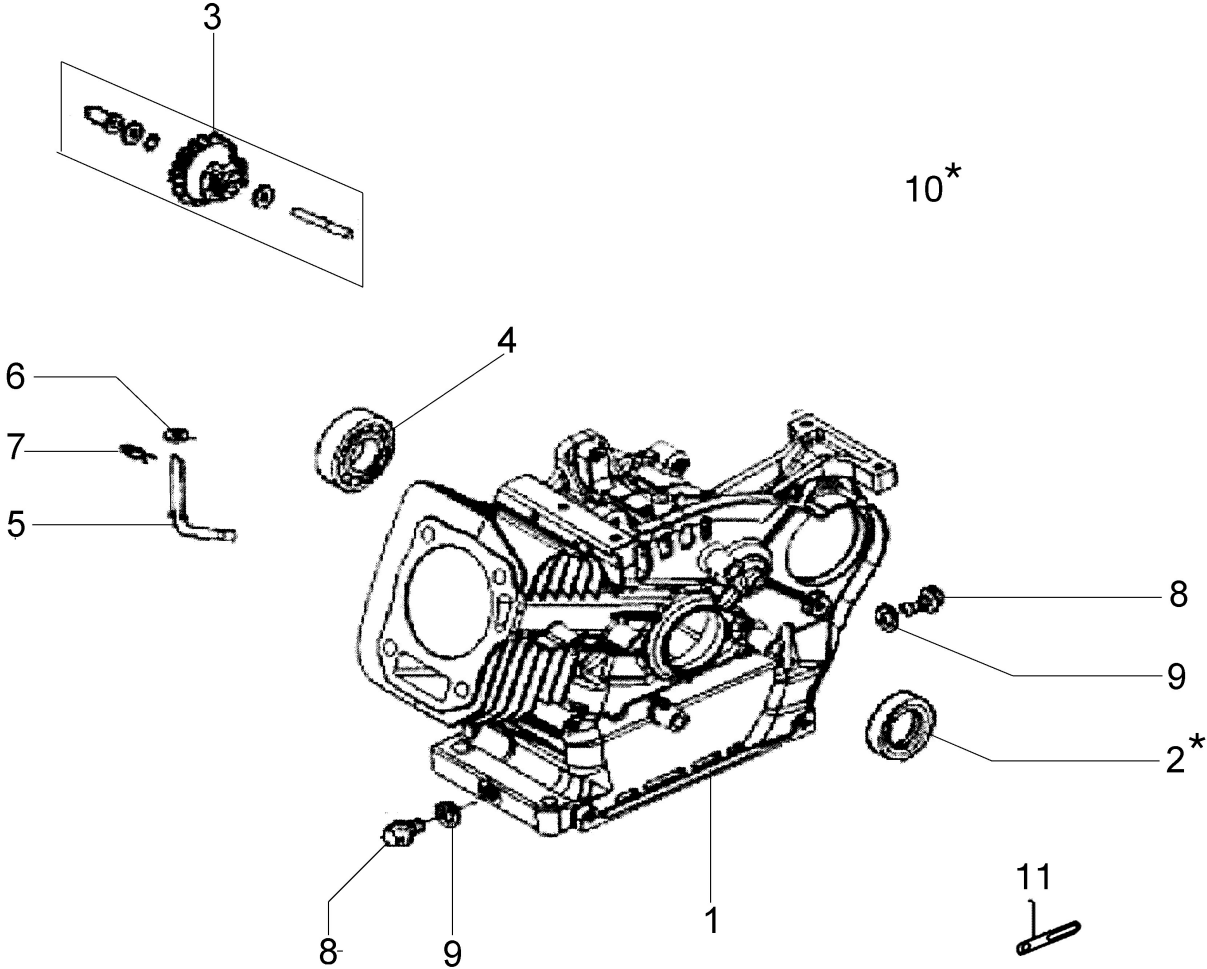


Illustration Crankcase

Ref.Nu	Qty	Part number	Description	Validity from	Validity till	Notes	Bulletin
1	1	L66150272	Cylinder and crankcase				
2	1	L66150462	Oil seal				
3	1	L66150304	Governor				
4	1	L66150355	Bearing				
5	1	L66150302	Shaft				
6	1	L66150325	Washer				
7	1	L66150353	Plug				
8	2	L66150352	Screw				
9	2	L66150354	Washer				
10	1	L66151172	Gasket set				
11	1	L66150480	Cable				

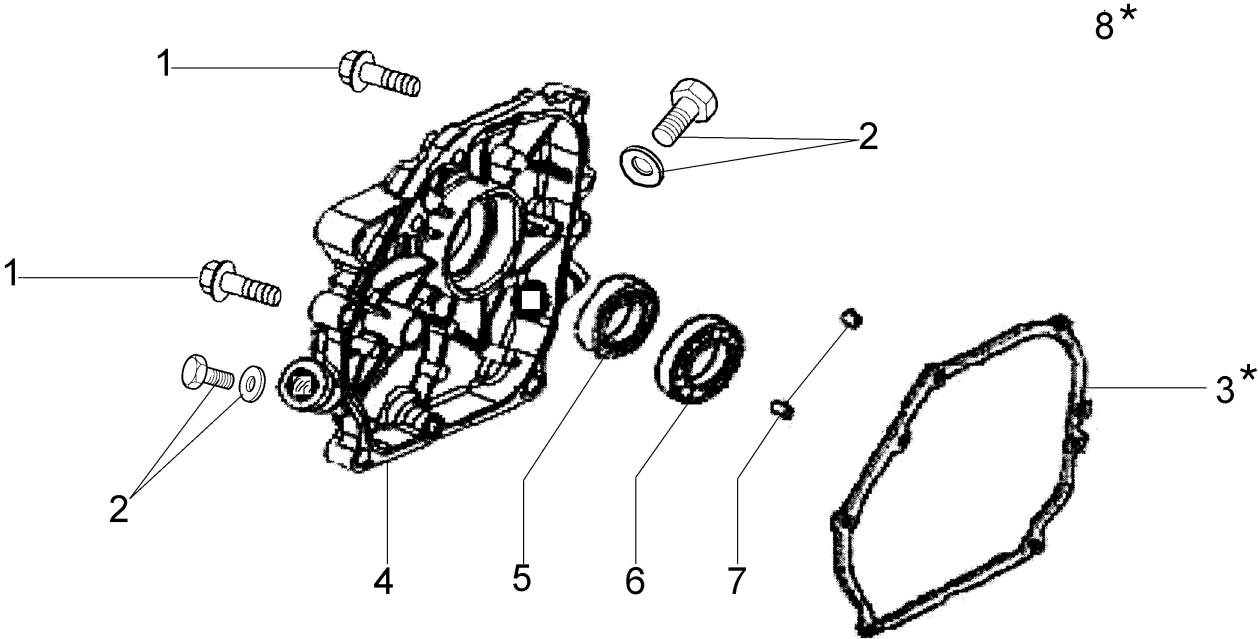


Illustration Crankcase cover

Ref.Nu	Qty	Part number	Description	Validity from	Validity till	Notes	Bulletin
1	7	L66150319	Screw				
2	2	L66150271	Cap				
3	1	L66150274	Gasket				
4	1	L66150273	Crankcase cover				
5	1	L66150462	Oil seal				
6	1	L66150355	Bearing				
7	2	L66150357	Plug				
8	1	L66151172	Gasket set				

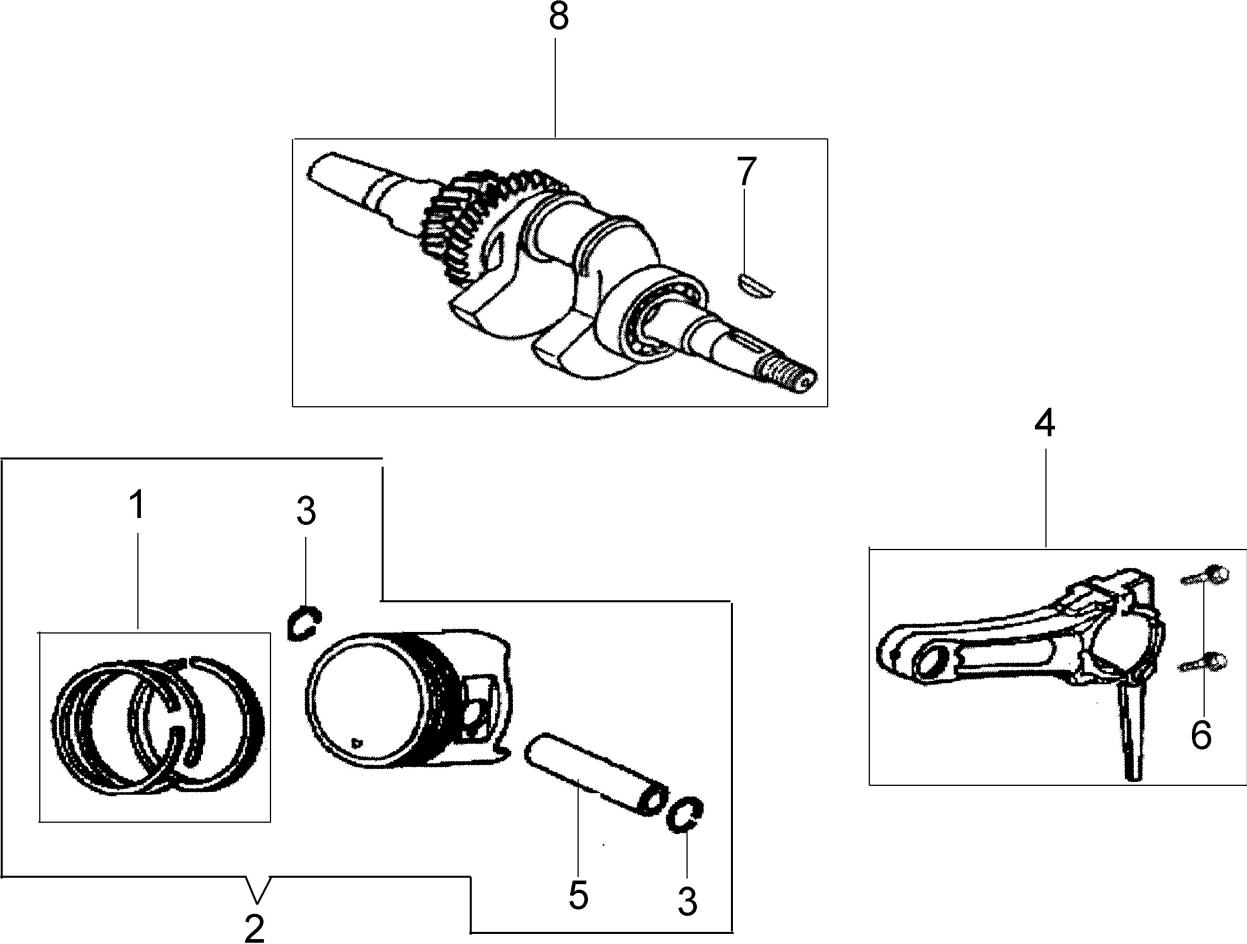


Illustration Crankshaft and piston

Ref.Nu	Qty	Part number	Description	Validity from	Validity till	Notes	Bulletin
1	1	L66150280	Piston ring set				
2	1	L66151166	Piston assy				
3	2	L66150372	Retainer washer				
4	1	L66150281	Connecting rod cpl.				
5	1	L66150342	Piston pin				
6	2	L66150343	Screw				
7	1	L66150081	Key				
8	1	L66151167	Shaft				

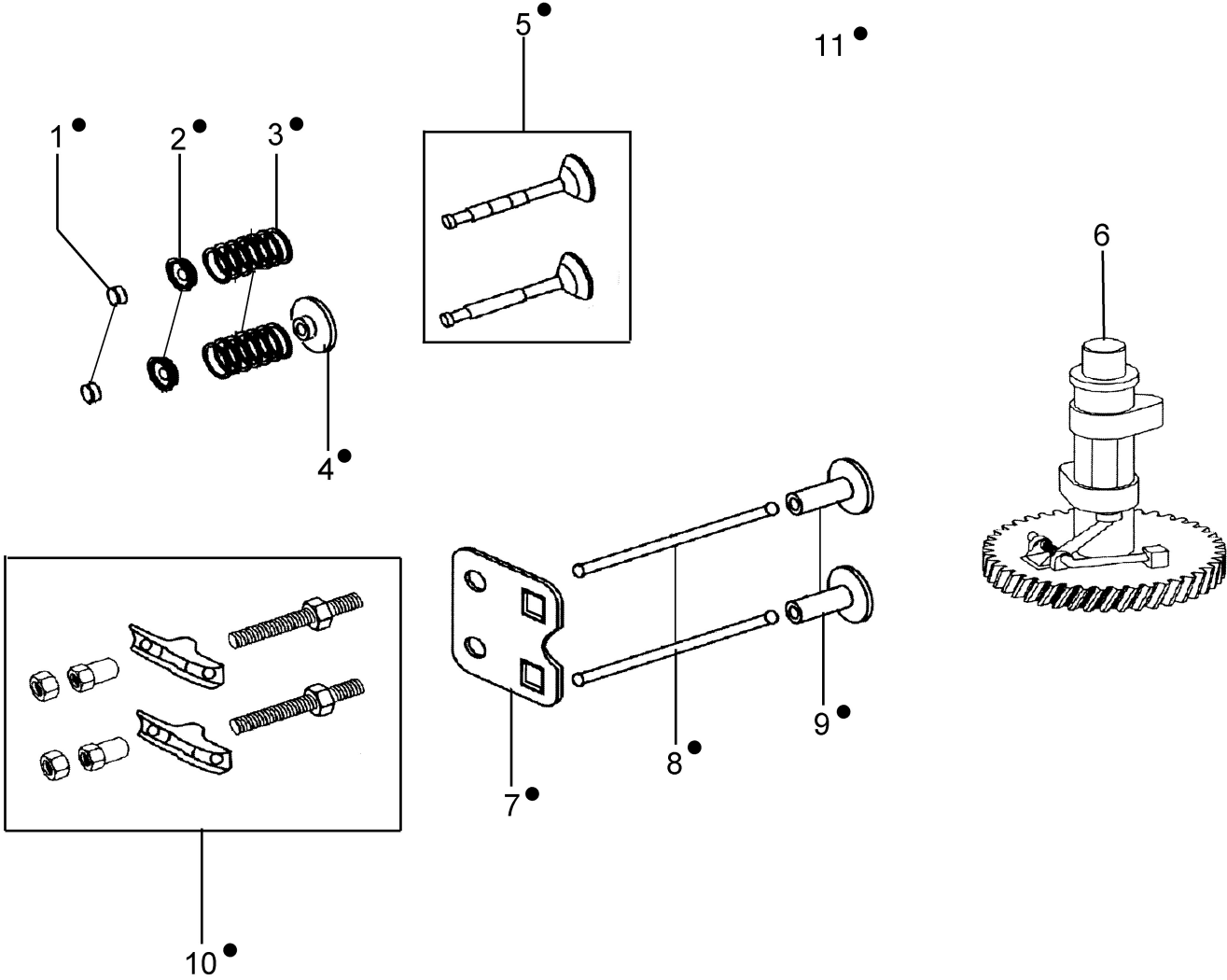


Illustration Valve and governor

Ref.Nu	Qty	Part number	Description	Validity from	Validity till	Notes	Bulletin
1	2	L66150364	Valve				
2	2	L66150365	Ring				
3	2	L66150366	Valves spring				
4	1	L66150484	Slide				
5	1	L66150362	Reed valve kit				
6	1	L66150363	Complete shaft				
7	1	L66150287	Plate (guide)				
8	2	L66150285	Rod				
9	2	L66150286	Slide				
10	2	L66150368	Compensator				
11	1	L66150205	Head comp.cylinder				

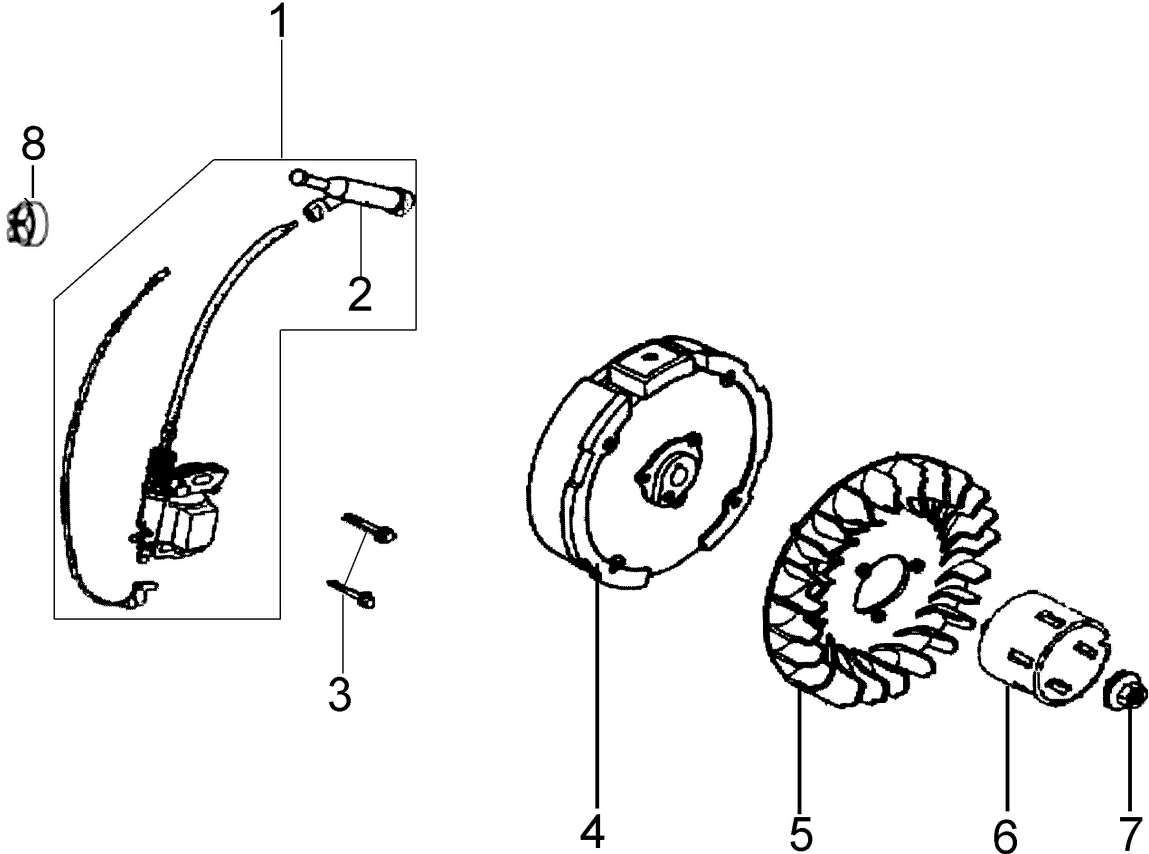


Illustration Flywheel and coil

Ref.Nu	Qty	Part number	Description	Validity from	Validity till	Notes	Bulletin
1	1	L66150314	Ignition coil				
2	2	L66150371	Spark plug cap				
3	1	L66150321	Screw				
4	1	L66150313	Flywheel				
5	1	L66150288	Fan				
6	1	L66150312	Pulley				
7	1	L66150376	Nut				
8	1	L66150440	Clip				

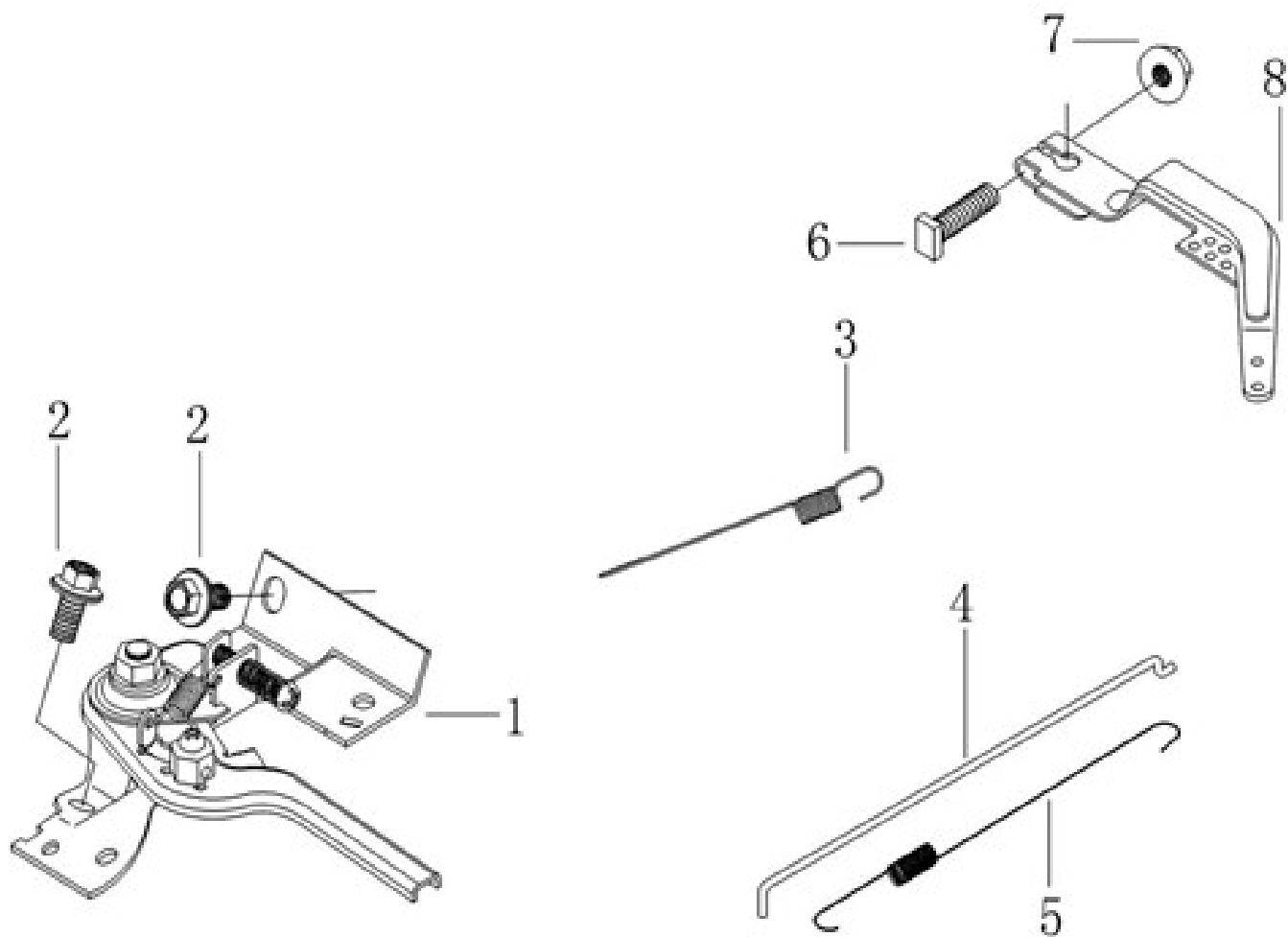


Illustration Control lever

Ref.Nu	Qty	Part number	Description	Validity from	Validity till	Notes	Bulletin
1	1	L66151168	Complete lever				
2	1	L66151169	Screw				
3	1	L66150299	Spring				
4	1	L66150300	Spring				
5	1	L66150298	Throttle rod				
6	1	L66150382	Screw				
7	1	L66150113	Nut				
8	1	L66150843	Carburetor				

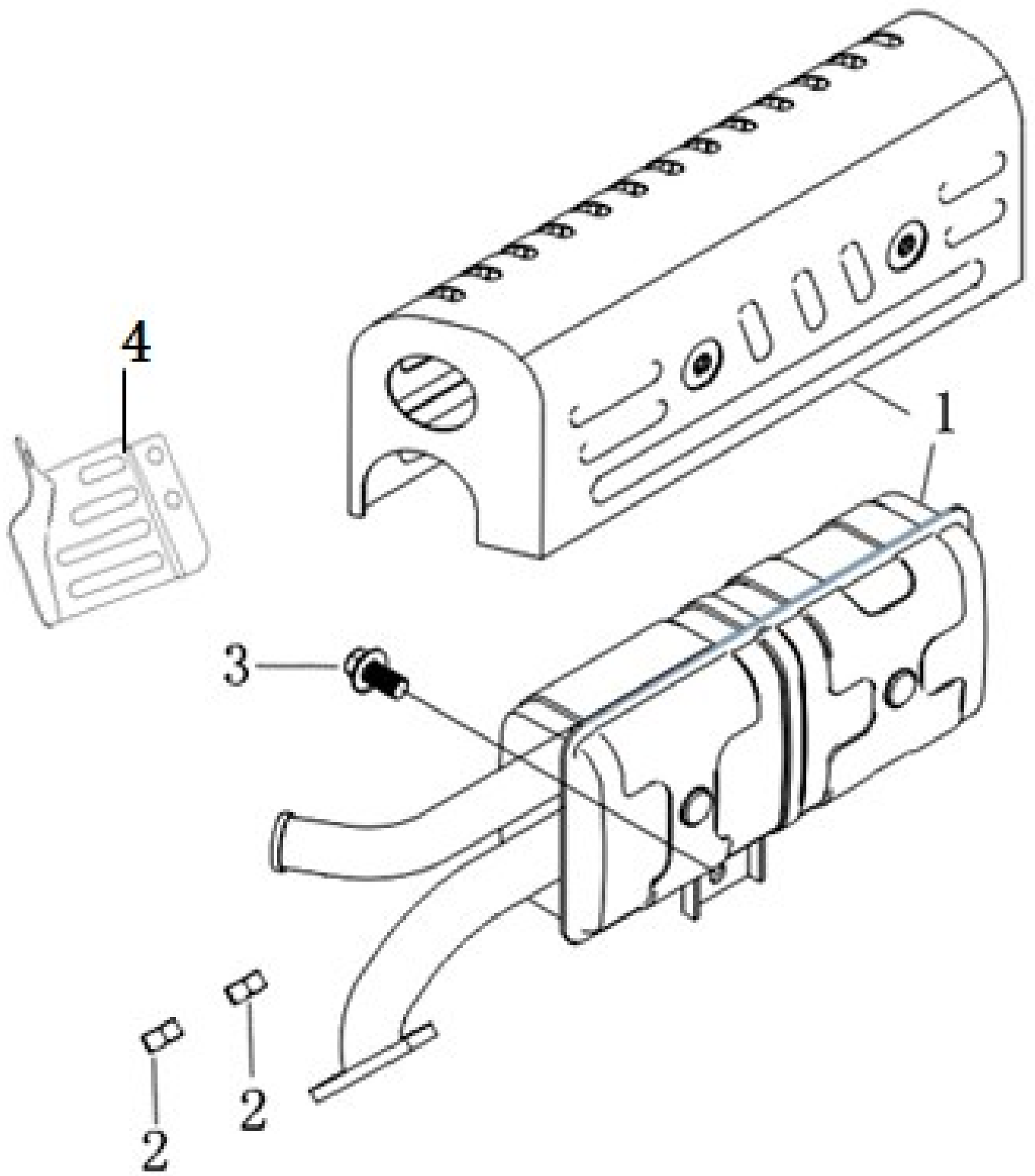


Illustration Muffler

Ref.Nu	Qty	Part number	Description	Validity from	Validity till	Notes	Bulletin
1	1	L66151170	Muffler				
2	2	L66150185	Nut				
3	1	L66150317	Screw				
4	1	L66150310	Guard				

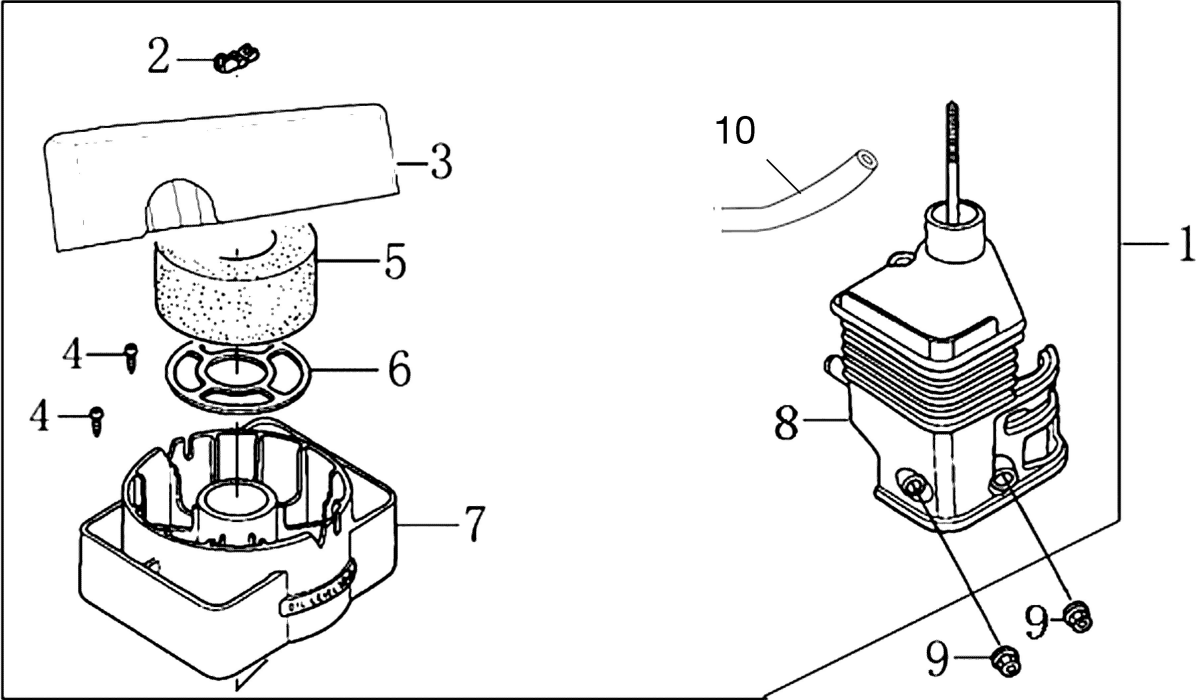


Illustration Air filter

Ref.Nu	Qty	Part number	Description	Validity from	Validity till	Notes	Bulletin
1	1	L66150307	Air filter kit				
2	1	L66150384	Nut				
3	1	L66150385	Cover				
4	2	L66150386	Screw				
5	1	L66150387	Filter				
6	1	L66151177	Grid				
7	1	L66150389	Filter support				
8	1	L66150390	Fitting				
9	2	L66150185	Nut				
10	1	L66150473	Tube				

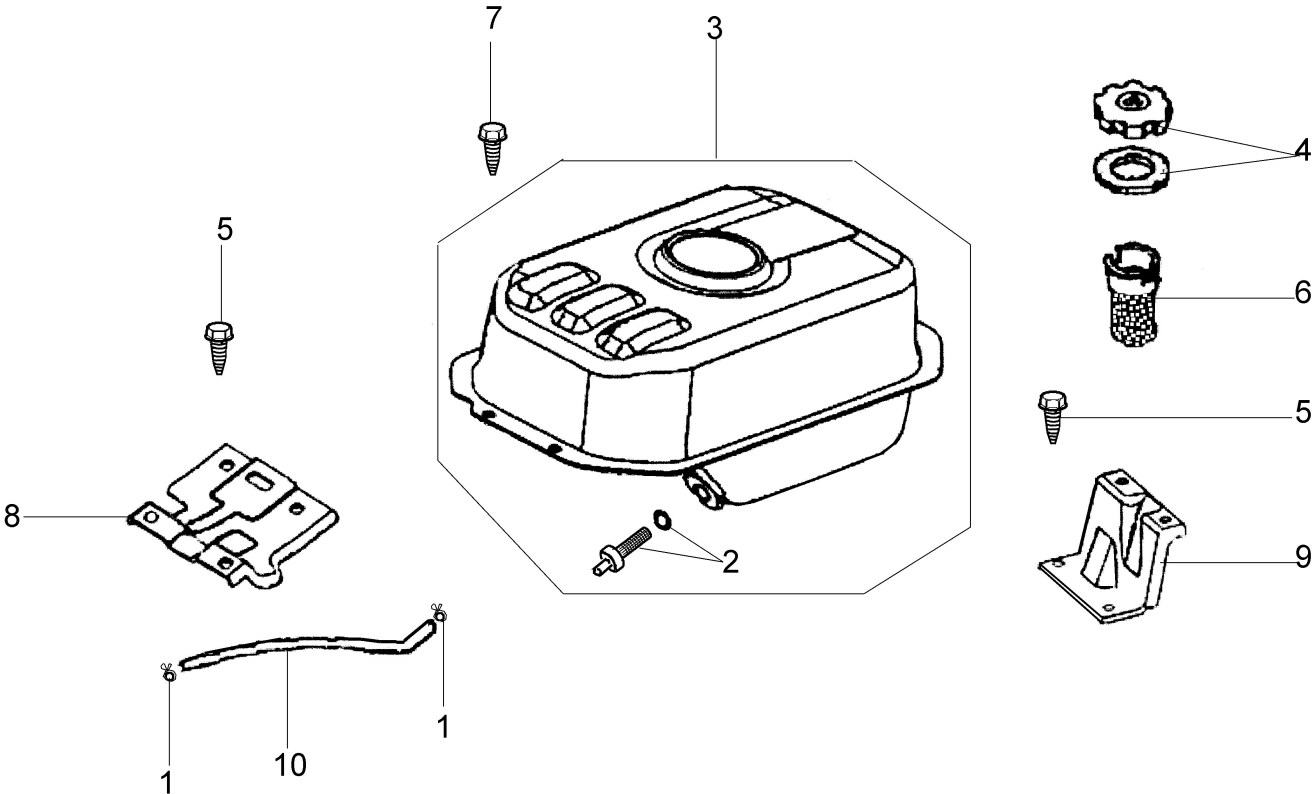


Illustration Tank

Ref.Nu	Qty	Part number	Description	Validity from	Validity till	Notes	Bulletin
1	1	L66150328	Band				
2	1	L66150295	Fitting				
3	1	L66150294	Complete tank				
4	1	L66150297	Cap				
5	4	L66150321	Screw				
6	1	L66150296	Fuel filter				
7	4	L66150316	Screw				
8	1	L66150306	Support				
9	1	L66150305	Support				
10	1	L66150327	Fuel line				

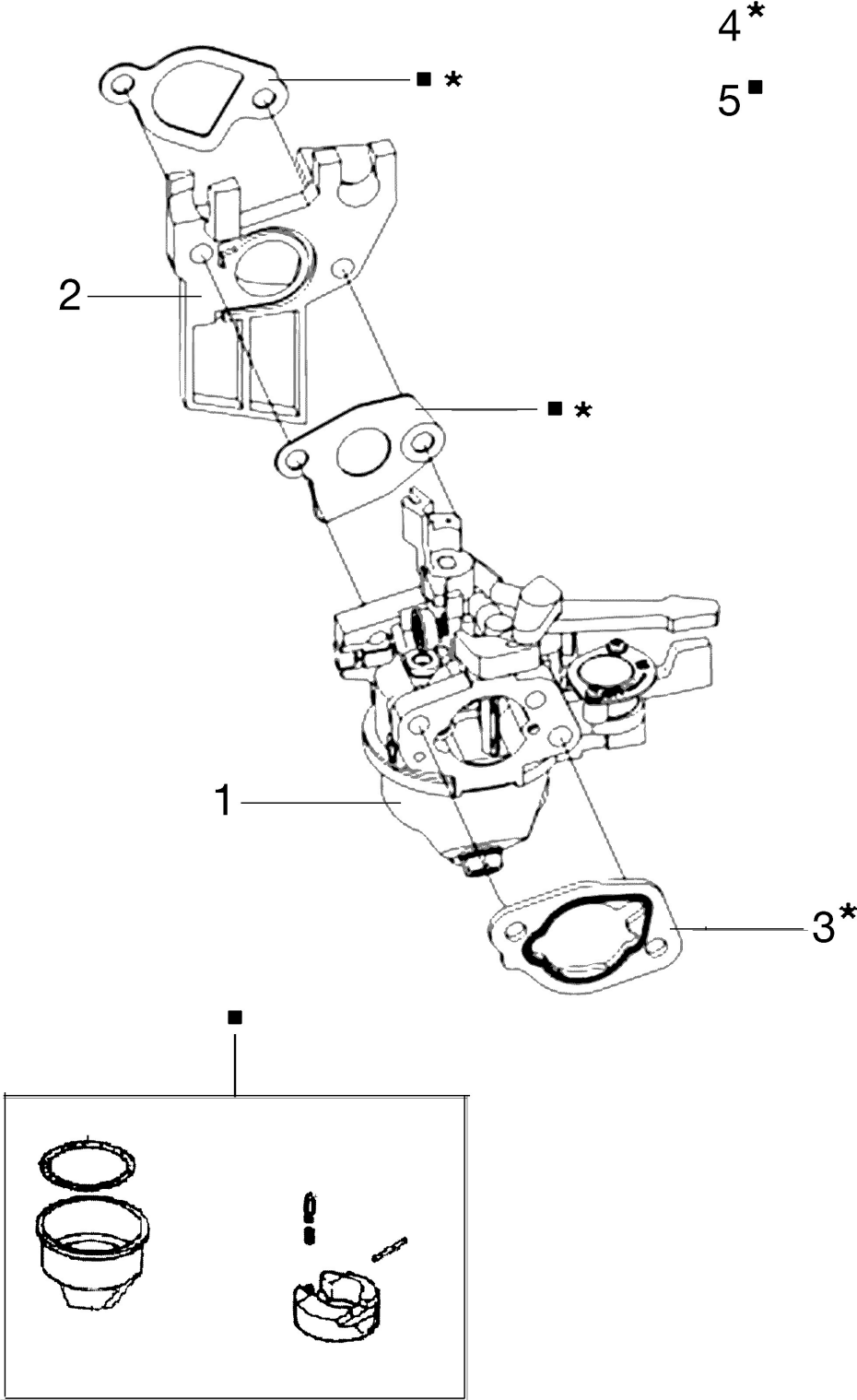


Illustration Carburetor

Ref.Nu	Qty	Part number	Description	Validity from	Validity till	Notes	Bulletin
1	1	L66150289A	Carburetor				
2	1	L66150842	Insulator				
3	1	L66150292	Gasket				
4	1	L66151172	Gasket set				
5	1	L66151171	Repair kit				